

Body — The charm of chic. A complete collection with executive, managerial and meeting models available. Body is the line of seating with single-shell structure in beech plywood, covered with shaped and ergonomic upholstery, available in sophisticated different textile finishes, each one proposed in a wide colour range. The steel blade armrests, built into the structure, add to the elegant design, covered in the same finish as the seat.



sitland

THE MECHANICS OF COMFORT

Body features a knee tilt mechanism lockable in 4 positions with anti-panic system and tilt tension regulation according to the body weight.

COMFORTABLE

The one-shell structure of the seat and back and multi-layer beech wood is upholstered with padded cushions in high-resistance shaped polyurethane, CFC free, that adapts to the user's movements.

ELEGANT ALSO IN THE DETAILS

Its linear and elegant shape adapts to various needs thanks to the wide range of available upholsteries and colours for seat and back.

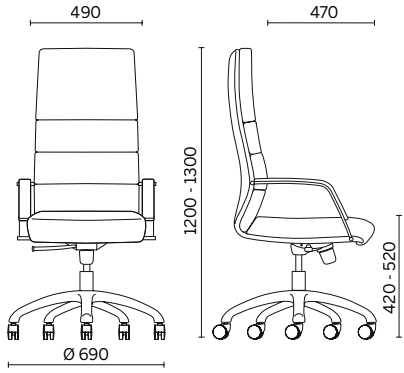
The armrests in steel blade are integrated to the rest of the structure and the armrest covers with wood interior are upholstered with the same seat material.

Available in executive, manager and meeting versions: Body collection offers a series of products to satisfy any functional need.

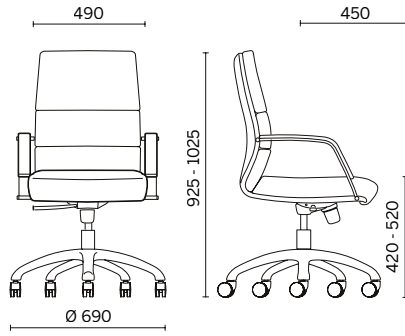


Models and dimensions

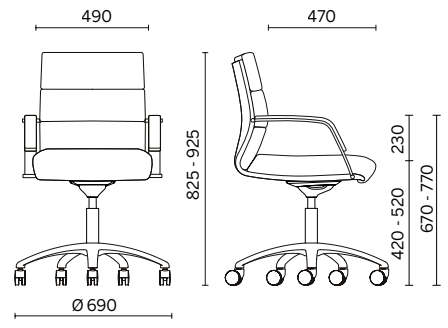
EXECUTIVE



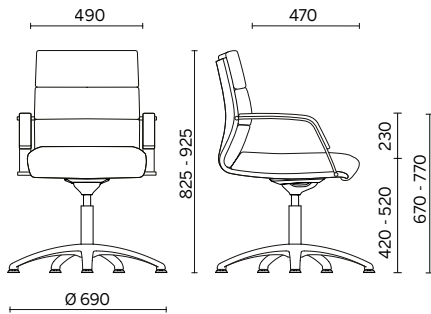
MANAGER MEDIUM BACK



MANAGER LOW BACK



MEETING



Mechanism

	executive	manager	meeting
Tilt mechanism with one lever, with body-weight adjustment, lockable in working position.	•	•	
Knee tilting mechanism, lockable in 5 positions, anti-shock system, the tilting tension can be adjusted, according to the user's weight, by a foldable side handle with spring-return.	•	•	
Seat height adjustment gas lift.	•	•	•
Soft tilt, for meeting rooms, with progressive tilt toward the back, and a light tilt toward the front.			•

Bases

Casters

5-star die-cast aluminium base, polished, ø 690 mm, of arcuated shape.



Free casters, ø 50 mm.



Self-braking rubber casters, ø 65 mm for hard floors.



5-star die-cast aluminium base, polished, ø 700 mm, flat.



Self-braking casters, ø 50 mm.



Hollow free and rubber casters, ø 65 mm for hard floors, black structure.



4-star die-cast aluminium base, POLISHED, ø 760 mm, flat.



Self-braking rubber casters, ø 50 mm for hard floors.



Hollow free and rubber casters, ø 65 mm, for hard floors, chromed structure.



Colours, materials, finishing

COVER-ARM FINISHING



Chromed steel

UPHOLSTERY



SY Fabric 11 Colours



Cl_CX Ecological leather 13 Colours



N Ecological leather 13 Colours



S Leather 13 Colours



TS Leather 13 Colours

PCON.PLANNER

It will be possible to configurate our model Body by using pCon.planner program for the design of 2D an 3D environment.

pCon.planner allows to design working solutions in a fast and intuitive way, creating "realistic" images with advanced features, with a considerable saving of time and resources.

It is easy to start using pCon.planner: after downloading the software in the proper page, it is possible to download pCon.catalog, the practical online catalogue of products ready to be set up according to anyone's need, and then include the products in the projects.

For more information on the use of pCon.planner and the access to the products of the SitLand's catalogues, please contact com@sitland.com



WARRANTY

Body has 5 years warranty. For any further detail, please contact Sitland's customer service at service@sitland.com



MORE INFORMATION

Sitland spa reserves the right to make modifications and improvements of a technical or aesthetic nature to the products at any time without notice.

Photos and colours shown are used for reference only and may look different in reality.

Please refer to the Price list in force and to the General sale conditions for the colours and the combinations available for every single product.

For any further information, please contact our Customer Service at service@sitland.com

Sitland spa
via Cà Silvestre 52
36024 Nanto, Vicenza - I
t +39 0444 637 100
f +39 0444 638 407
info@sitland.com
www.sitland.com

follow us on

